

# ACS 900

Manual

English



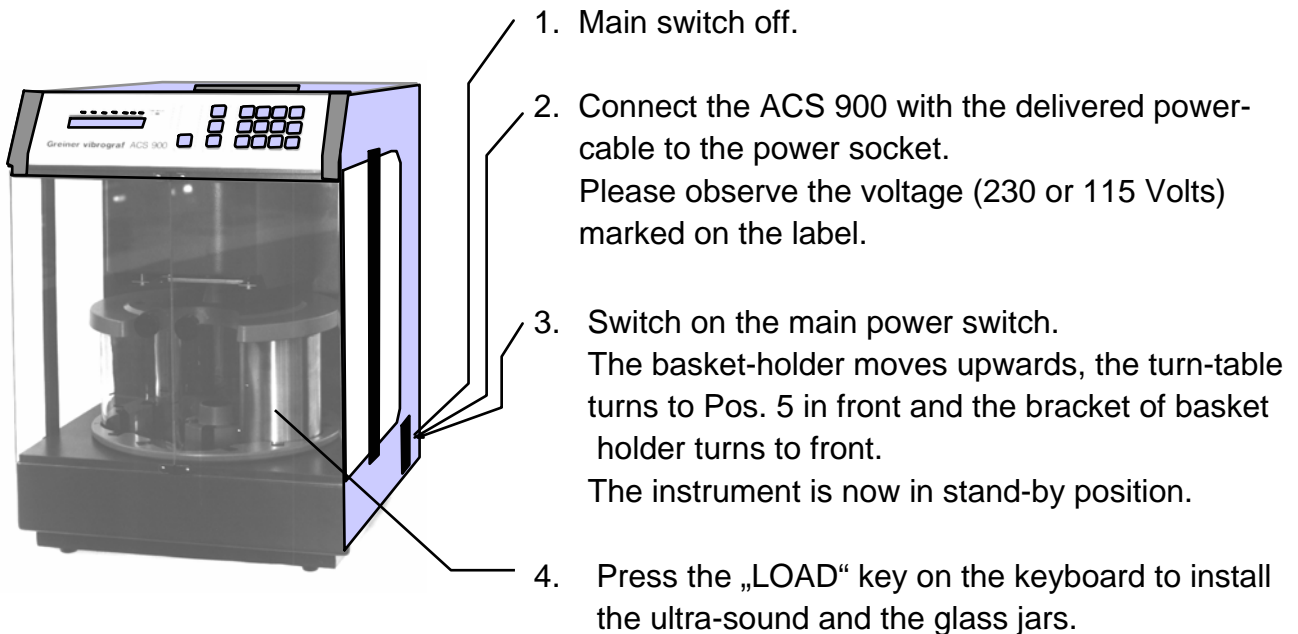
# Contents

<b>Introduction ACS 900 -----</b>	<b>page 2</b>
<b>Loading of the jars -----</b>	<b>page 3</b>
<b>Fixed cleaning programs -----</b>	<b>page 4</b>
<b>Select your own cleaning program-----</b>	<b>page 5</b>
<b>Display explanation -----</b>	<b>page 6</b>
<b>Programming -----</b>	<b>page 7</b>
<b>Programming -----</b>	<b>page 8</b>
<b>Start cleaning program -----</b>	<b>page 9</b>
<b>Placing a password -----</b>	<b>page 10</b>
<b>Help -----</b>	<b>page 11</b>
<b>Accessories -----</b>	<b>page 12-18</b>

# Introduction ACS 900

Unpack the ACS-900 and install it on the working place.

Open the front doors and remove all packing material inside the instrument.



**Standby position = Position 5 of turn table is in front. Bracket of basket holder is in front. An arrow on the display is moving from left to right. The machine is ready to start.**

## Caution:

Do not place anything on top of the instrument that could block the ventilation.

The ventilator fan that evacuates the fumes during the cleaning process from the machine is located on the top. When process is finished, ventilator stops automatically after 5 min.

## Preparation of the baths

Pos. 1 = cleaning bath (with or without ultra-sound)

Pos. 2 = cleaning bath or 1st rinsing bath

Pos. 3 = rinsing bath





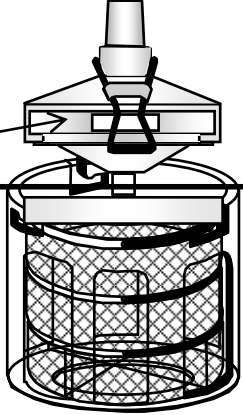



Pos. 4 = cleaning or lubrication bath

Pos. 5 = remains empty (drying position)

Take care not to exceed the maximum level of fluids indicated on the jar and ultrasonic tank.

(quantity 0,55 l).

# Loading of the jars

1. Press LOAD  Display shows:  
Next or Pos. 1 - 5.  
Basket holder moves upwards.
2. Press ENTER  Turn-table turns to the Pos. 1.  
If you operate 1,2,3,4 or 5 instead of ENTER,  
the turn-table turns directly to the  
corresponding position.
3. Put ultrasonic tank in Pos. 1  
If ultra-sound is not requested, you can install  
a cleaning jar instead.
4. Press ENTER  Turn-table turns to the next position,  
Pos. 2
5. Put jar in Pos. 2 --
6. Continue as described in point 2  
till all the jars are installed.
7. Press EXIT  ACS 900 changes over to stand-by position.
8. Load the baskets with the parts you  
want to clean, insert in lower  
basket-holder and close fixture.  --
9. The machine is ready for service.  
You can start a test  
for example: Program 7 --
10. Press  Display says:  
Which cleaning program?
11. Press  Display shows you data in program 7
12. Press  Cleaning program 7 is running.

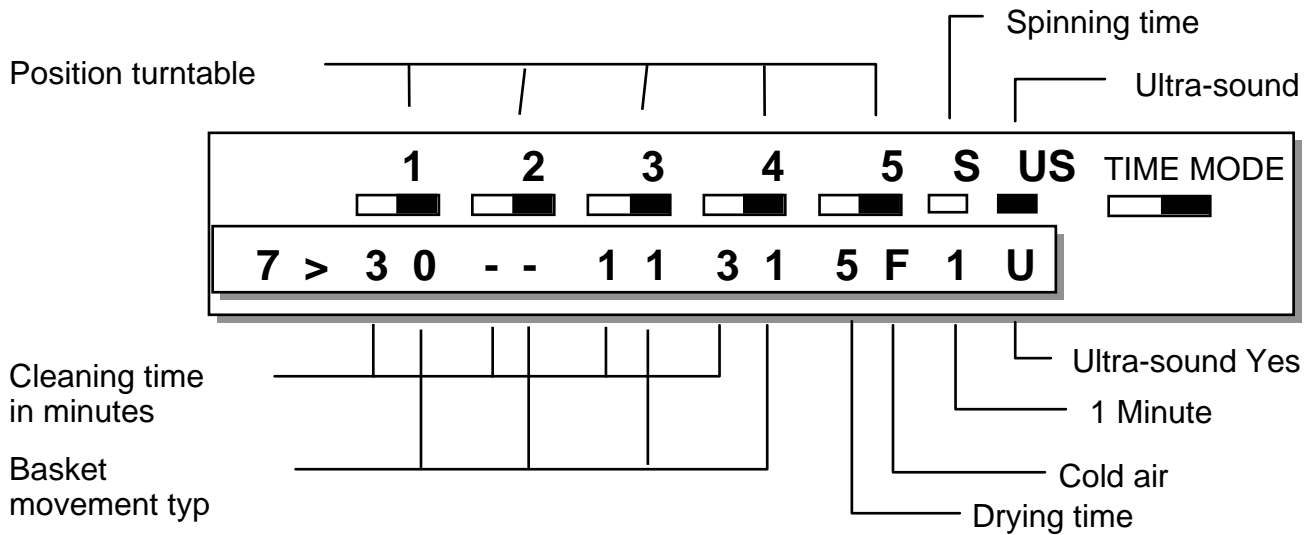
# Fixed cleaning programs

Buttons **7** **8** **9**

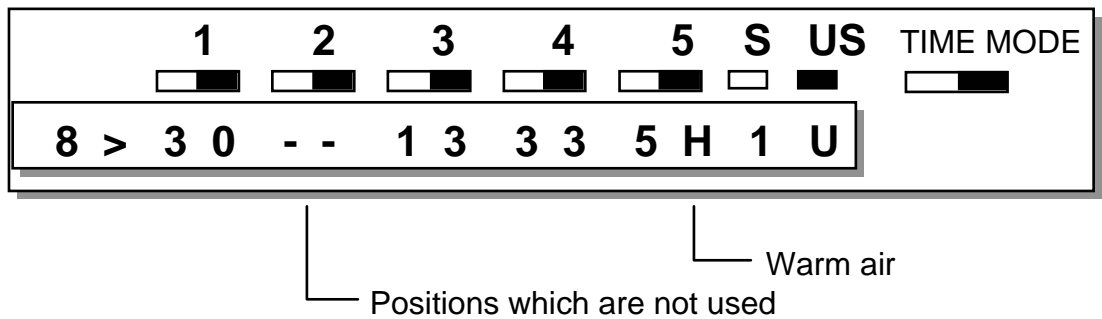
are fixed programs (factory set).  
They can not be changed.

## Description of the programs:

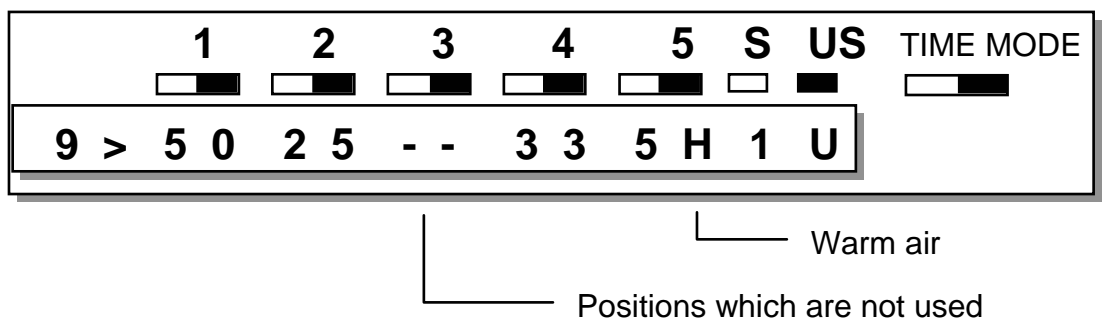
### Program 7



### Program 8



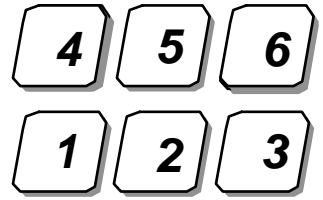
### Program 9



# Select your own cleaning program

**Important:** Button 1-6 can be used for cleaning procedures.

Programming of ACS 900 is possible in standby status or during cleaning program.



## Explanation of the settings:

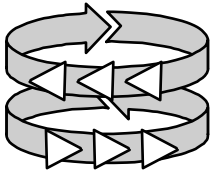
### Time



#### Time programming positions 1-5 ( 0 - 9 minutes )

- 0 = Position is inactive
- 1 - 9 Basket stays in the jar between 1-9 minutes

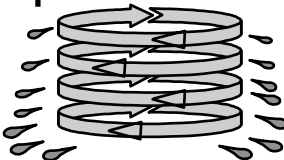
### Acc



#### Movement type of the basket 0 - 5

- 0 = Basket turns slowly in one direction half of the time and in the reverse direction the other half of the selected time. No agitation
- 1 = Movements are very slow and stretched.
- 2 = Movements are slow and less stretched.
- 3 = Mean movements .
- 4 = Quick and short movements.
- 5 = Very quick and very short movements.

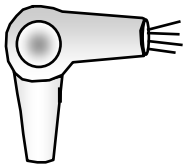
### Spin



#### Spin 1 - 5 minutes

Spinning is effected in the upper part of the jars.  
Selected time is between 1 – 5 minutes.  
The selected time is for all jars.

### Drying

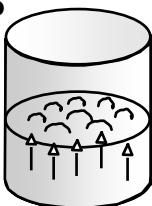


#### Drying (warm or cold)

- H = warm air      Switch on or off with button 1
- F = cold air

**Remark:** When jar 4 is selected, the temperature of warm air is already reached when basket runs for drying.




### US



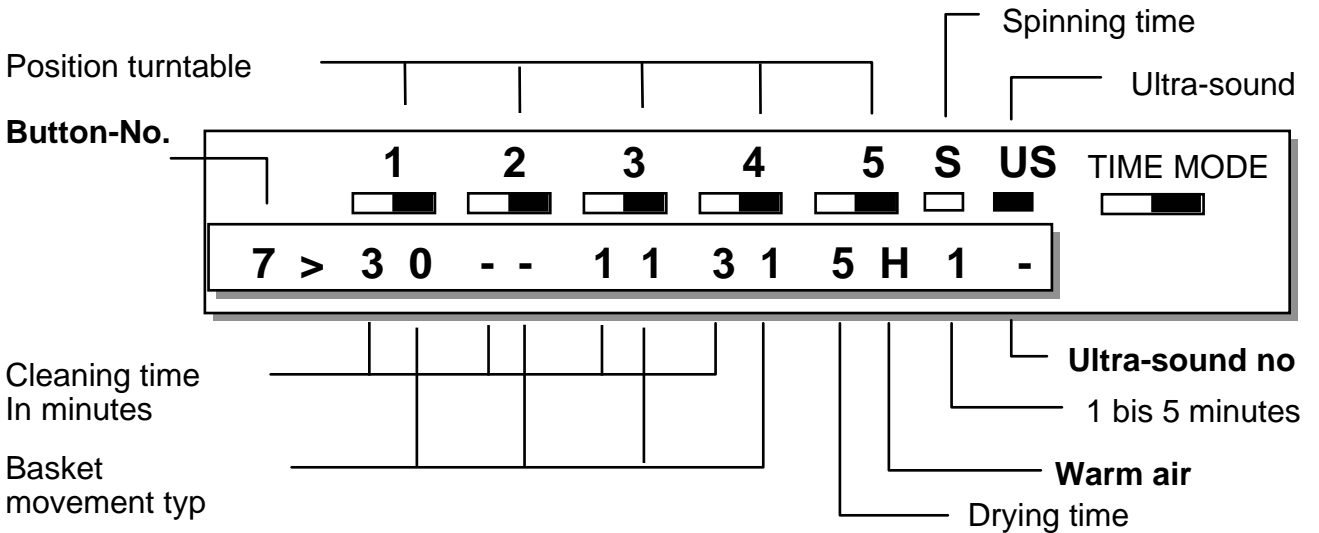
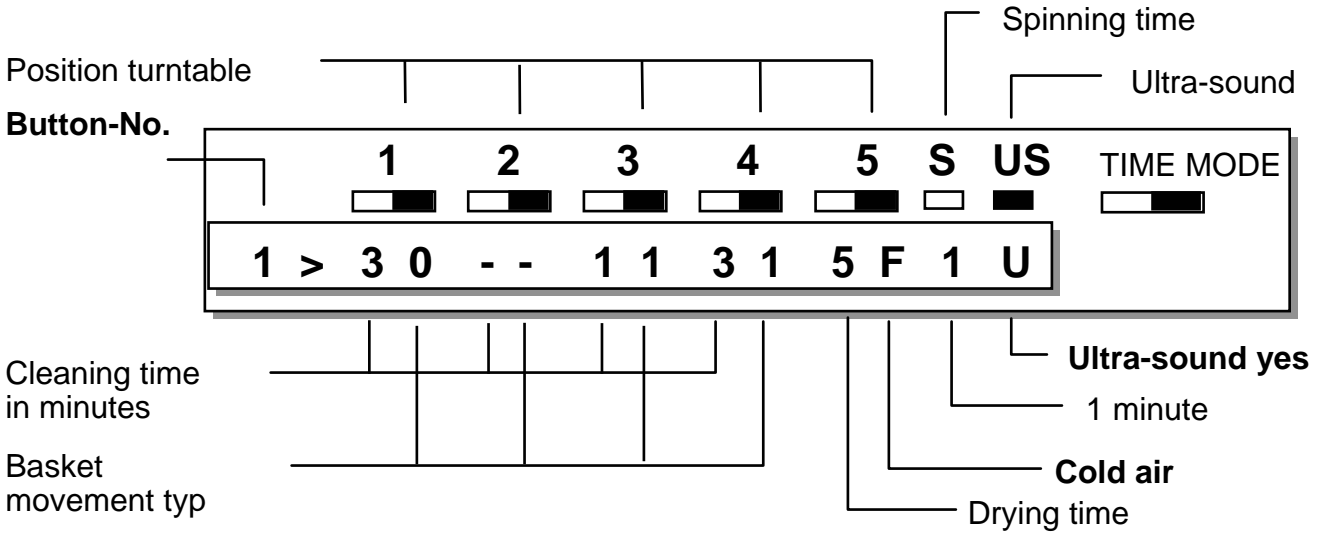
#### Ultra-sound

Programming of ultra-sound is effected with Pos. 1 of turn-table. With Button 1 you can switch it on or off. Movement status 0 is suggested during cleaning with ultra-sound.





















# Display explanation

When you press  key and 1 of the keys  — 

The programs are shown on the display as you can see in the following example:



# Programming


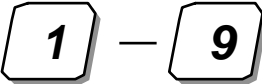

Key application	display Indication	Remark
	Which cleaning program ?	Which program ?
	1 > -- -- -- -- 1 -	
	Pos 1 > Time: # Acc: #	
 → 	Pos 1 > Time: 5 Acc: #	Time pos. 1
	Pos 1 > Time: 5 Acc: 0	Movement type
	Pos 2 > Time: # Acc: #	
 → 	Pos 2 > Time: 4 Acc: #	Time pos. 2
	Pos 2 > Time: 4 Acc: 1	Movement type
	Pos 3 > Time: # Acc: #	
 → 	Pos 3 > Time: 4 Acc: #	Time pos. 3
	Pos 3 > Time: 4 Acc: 2	Movement type
	Pos 4 > Time: # Acc: #	
 → 	Pos 4 > Time: 6 Acc: #	Time pos. 4
	Pos 4 > Time: 6 Acc: 3	Movement type
	Pos 5 > Time: 0	
	Pos 5 > Time: 9	Time pos. 5

See next page



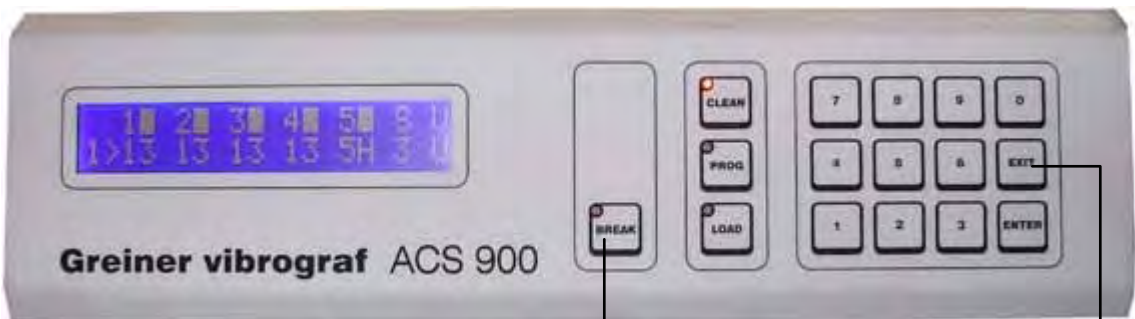


# Start cleaning program

Key application		Display indication
Press button		Which cleaning program ?
Press button		Indication of the dates from the selected program.
Press button		Cleaning program is started and whole run time is indicated.

## Interruption of cleaning program

You can interrupt the cleaning at any time.




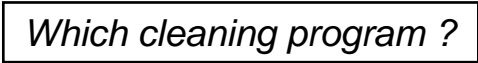

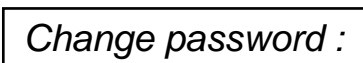

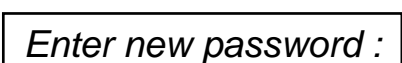




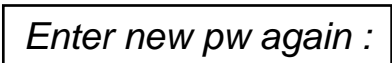


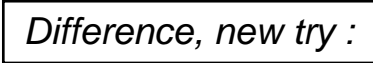


1. Press button BREAK

2. Press button EXIT








# Placing a password

Only the person who knows the password is able to change the cleaning program.  
Any password can be used.  
Installation can be done during standby-modus or cleaning program.

## Enter a password for the first time:

Key application	Display indication	Remark
		Which program ?
		
		Enter your personal password.
 — 		Code, max. 8 digits.
		Enter new pw again.
 — 		In case of a mistake, enter correct pw.
		Now pw is installed and stored.

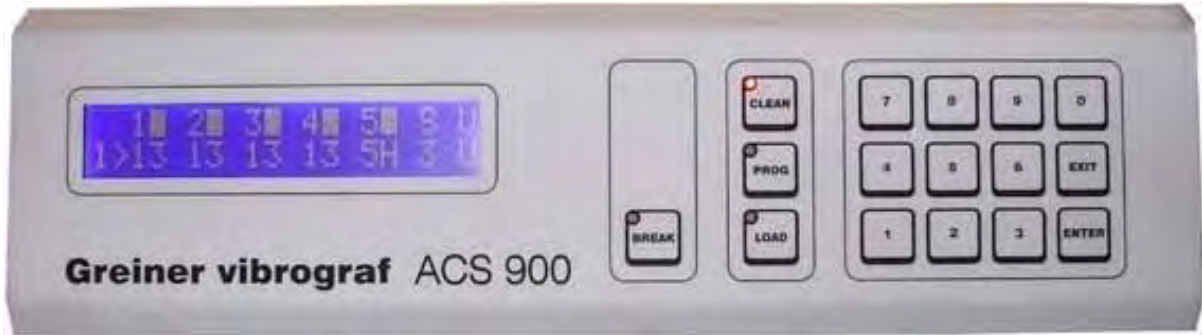
## Clear the password:

Key application	Display indication	Remark
  		Welcome to the service Program.
 		The password is cleared.

# Assistance

The ultra-sound does not work.

Please check if the ultra-sound is installed as follows:



Key	Display indication	Remark
	<i>Service, WELCOME !!!</i>	Welcome to the service Program.
	<i>US uninst, 1, Toggle</i>	Ultra-sound is not installed.
Or	<i>US inst, 1, Toggle</i>	Ultra-sound is installed.
	<i>US inst, 1, Toggle</i>	Press button 1 Indication is changing between <b>US inst</b> and <b>US uninst</b>

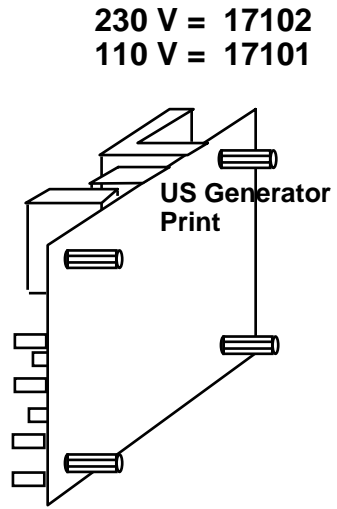
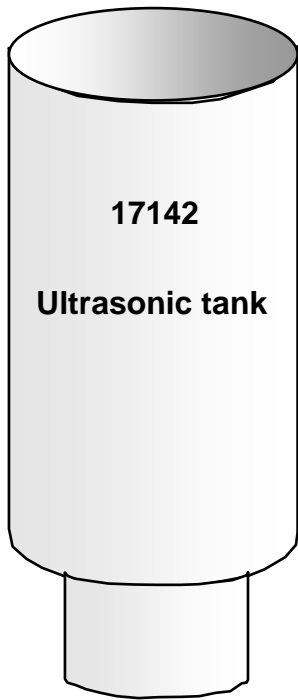
Press button 1 till display indication shows you (US inst, 1, Toggle).

Press button

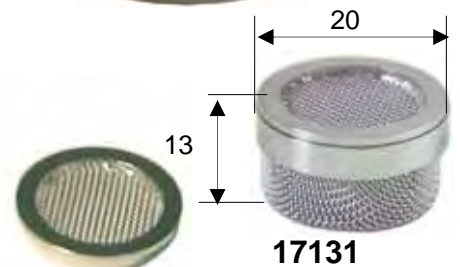
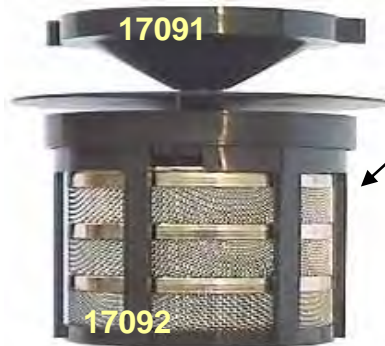
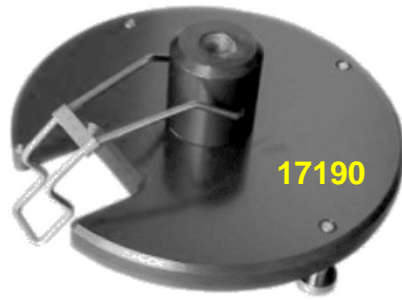


Check and reinstall programs 1 to 6 as required.

# Accessories



# Accessories





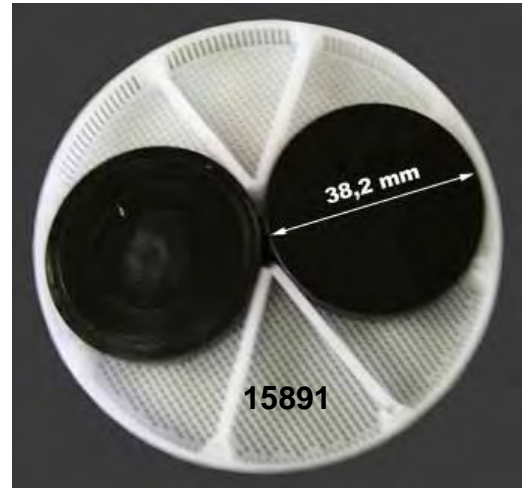
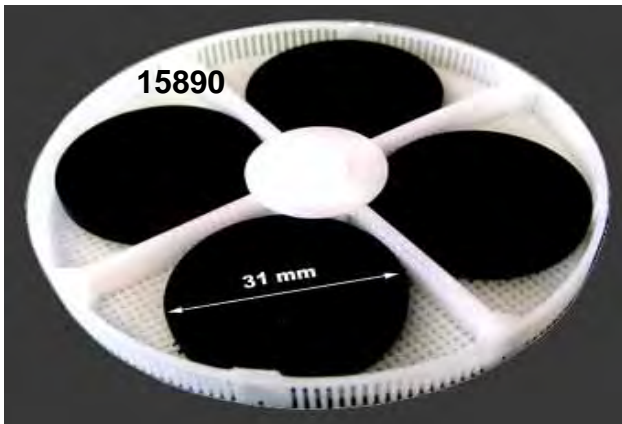
# Accessories

## Plastic baskets - 80mm

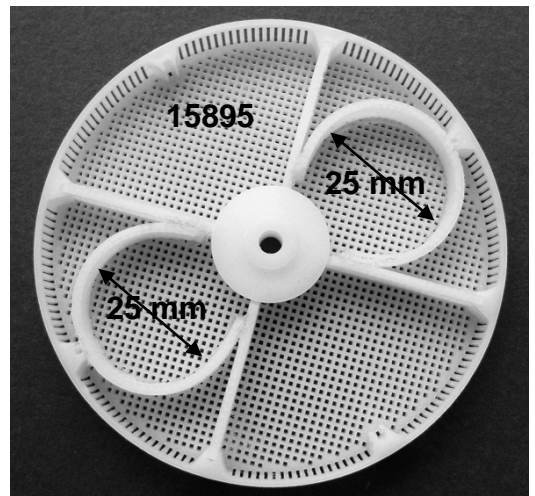
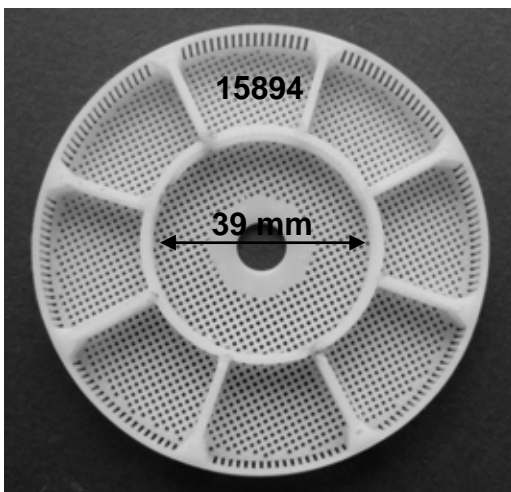
For the use of the baskets in plastic, it is necessary to install the upper part of basket holder  
No.17098 or 17099



- 15890 Basket in plastic 80 for 4 plates max. Ø 31 mm
- 15891 Basket in plastic 80 for 2 plates max. Ø 38 mm

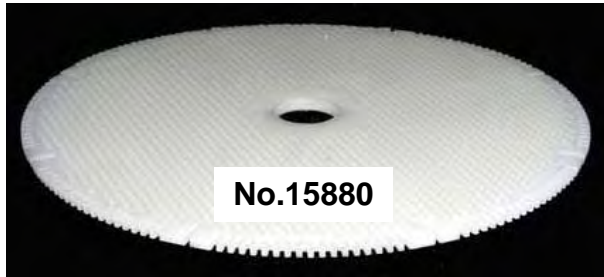


- 15894 Basket in plastic 80 for 1 plates max. Ø 39 mm
- 15895 Basket in plastic 80 for 2 plates max. Ø 25 mm

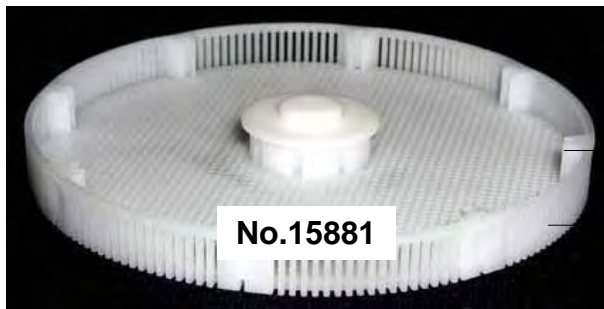


# Accessories

## Plastic / metal baskets - 80mm

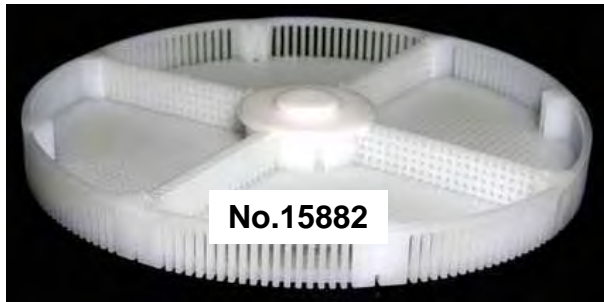


No.15880



No.15881

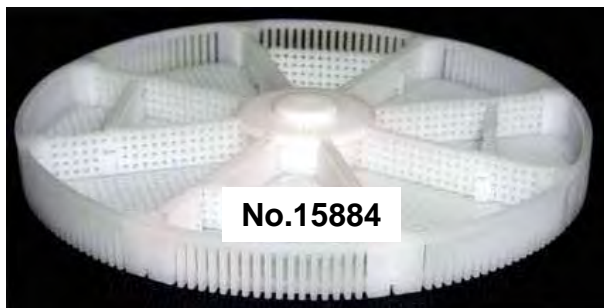
Height 8



No.15882



No.15883



No.15884



No.15885



No.15886



No.15887



No.15888

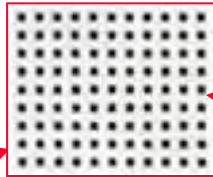
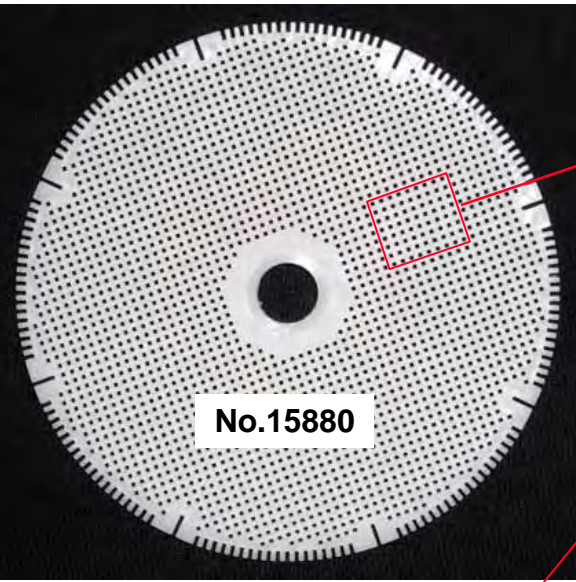


No.15889



# Accessories

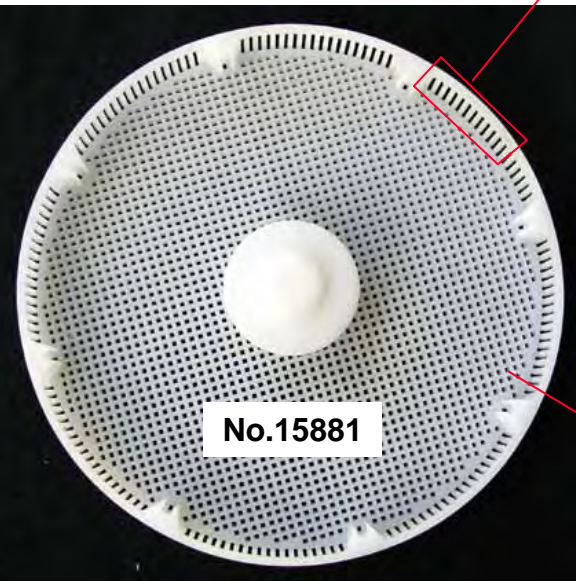
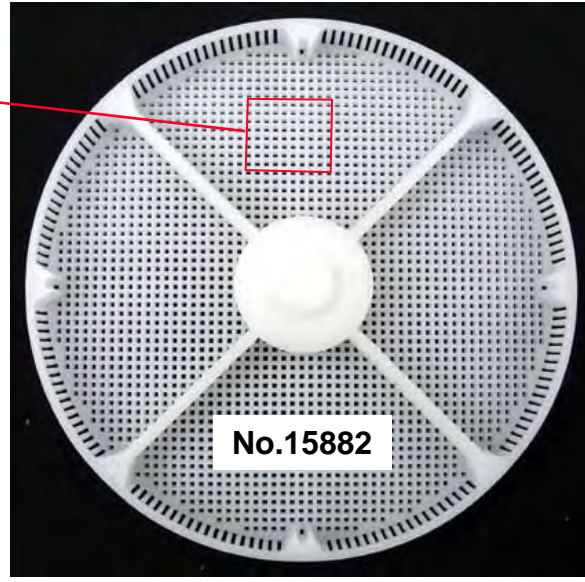
## Plastic baskets - 80mm



Mesh size  
0,65 x 0,65



Slits 0.60

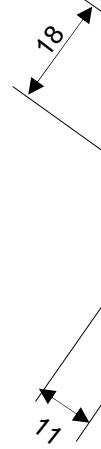


Height 8

Depth inside 6.7



50





# Accessories

## Plastic / metal baskets - 80mm



Inner Ø 18  
Depth 11

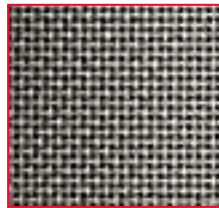


View from bottom



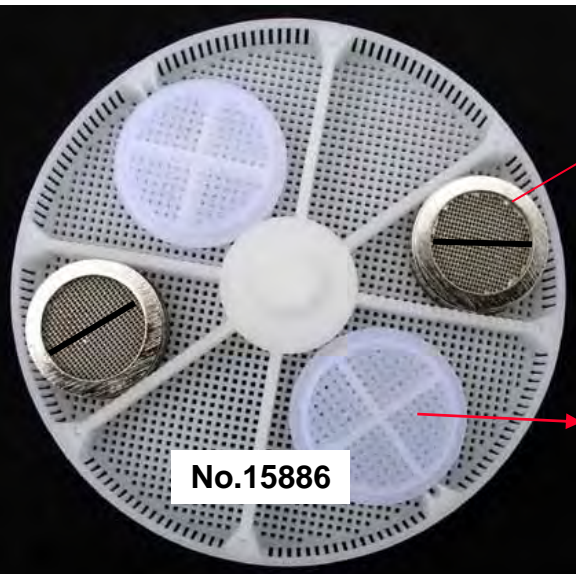
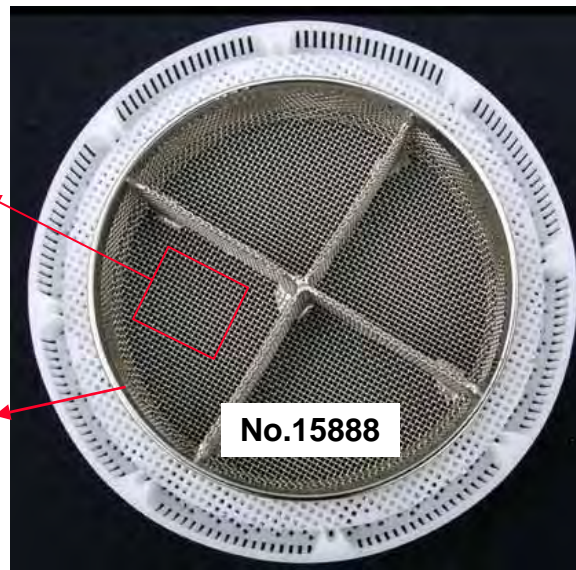
View from bottom

Mesh

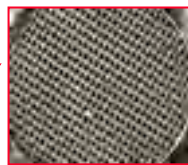


0,45 x 0,45

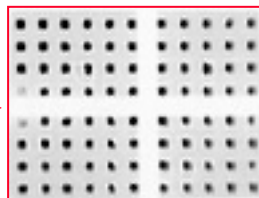
Inner Ø 61  
Depth 15



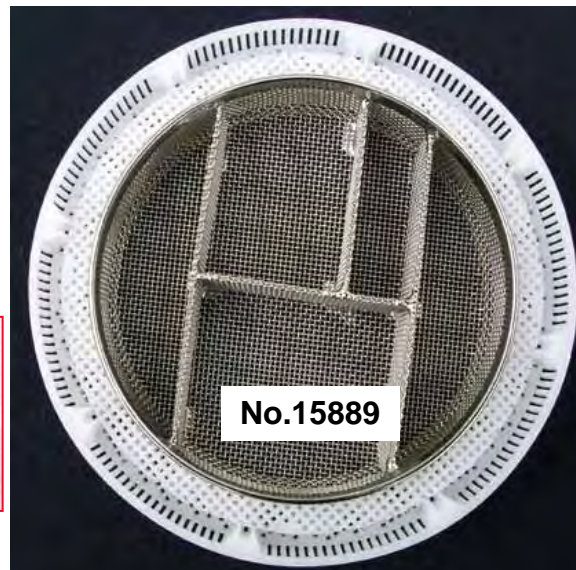
Mesh



0,25 x 0,4



0,45 x 0,45



# Accessories

## Special plastic baskets - 80mm

These 2 baskets fit perfectly in the basket holder 15853.

